



• ED1538M Series.

DC Brushless fan.

Size:172 x150 x 38mm

6 x 1.5 inches

Airflow: Max. 270 CFM / 7.6 m3/min

Metal Frame / Metal Impeller

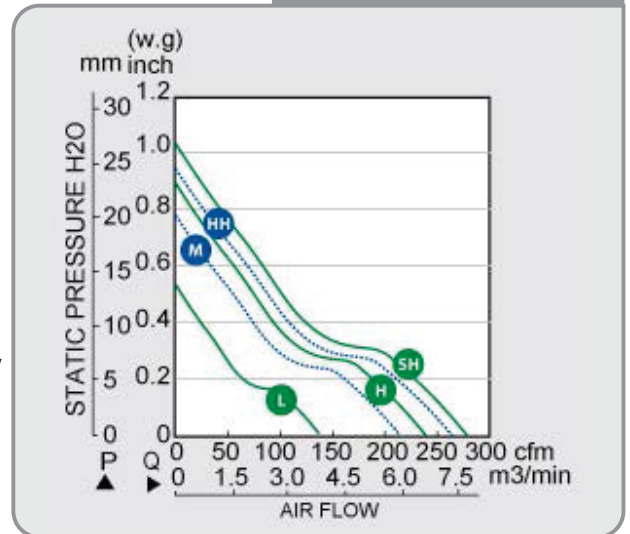
Model No.	Rated Voltage	Voltage Range	Input Power	Rated Current	Ref Speed	Max. Airflow		Max. Static Pressure		Noise Level	PQ Curves
	VDC	VDC	Watt	Amp	RPM	CFM	m3/min	Inch/H2O	mm/H2O	dB (A)	
ED1538M-12SH**	12	7~13.8	64.8	5.4	4200	260	7.4	0.98	27.94	62	SH
ED1538M-12HH**	12	7~13.8	50.4	4.2	4000	250	7.1	0.93	26.67	60	HH
ED1538M-12H**	12	7~13.8	23	1.9	3800	230	6.5	0.90	24.13	57	H
ED1538M-12M**	12	7~13.8	13.2	1.1	3300	215	6.1	0.79	20.83	46	M
ED1538M-12L**	12	7~15	5.5	0.45	2000	130	3.7	0.5	14.73	39	L
ED1538M-24SH**	24	15~27.6	63.6	2.65	4300	270	7.6	1.03	31.75	62	SH
ED1538M-24HH**	24	15~27.6	50.4	2.1	4100	255	7.2	0.94	30.48	60	HH
ED1538M-24H**	24	15~27.6	24	0.97	3850	240	6.8	0.93	27.94	57	H
ED1538M-24M**	24	15~28	13	0.52	3300	215	6.1	0.79	20.83	46	M
ED1538M-24L**	24	17~28	5	0.20	2000	130	3.7	0.5	14.73	39	L
ED1538M-48SH**	48	22~53	62.4	1.3	4350	270	7.6	1.03	31.75	62	SH
ED1538M-48HH**	48	22~55	49.4	1.03	4100	255	7.2	0.94	30.48	60	HH
ED1538M-48H**	48	22~55	23.5	0.48	3850	240	6.8	0.93	37.94	57	H
ED1538M-48M**	48	24~58	14.5	0.30	3300	215	6.1	0.79	20.83	46	M
ED1538M-48L**	48	24~60	5.8	0.12	2000	130	3.7	0.5	14.73	39	L

** = "BL" for Ball bearing wire lead type, or "BT" for Ball bearing terminal type.

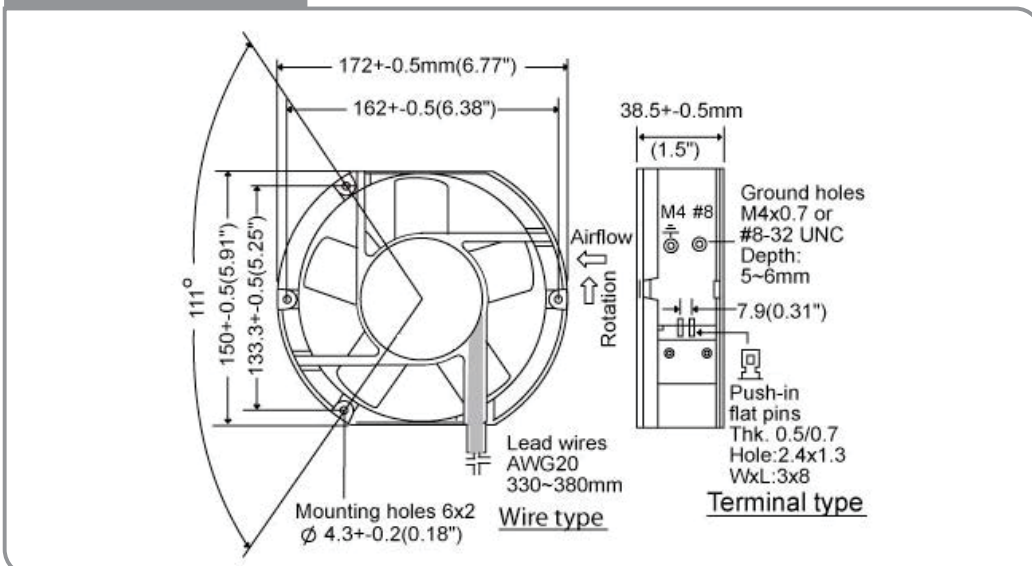
We Reserve the right to change data and improve electrical & mechanical design without notice, data tolerance +/- 10%

Motor Type:	Microprocessor brushless DC Motor, auto cutoff, auto restart
Burnout Protection:	Electronically protected, polarity protected
IP Protection:	IP55 , 56 Optional request
Mechanical	
Frame:	Aluminum die cast, black color(AP)
Impeller:	5 blades, all metal
Bearing:	Two ball bearings
Rotation:	CW seen on rotor
Connection:	Wire lead or terminal flat pin connecting
Weight:	640 g (1.04 Lbs)
Electronical	
Dielectric Strength:	500 VAC/min. Max leakage 500mA
Speed Control:	Optional:PWM, S/C NTC thermister,0~10V control voltage S/V
Signal Output:	Optional:R/D alarm output, tachometer output F/G
Environment	
Operating Temp:	-20°C~+65°C
Storage Temp:	-25°C~+75°C (at 65%RH)
Life Expectancy:	L10 50K hours at 50°C

▶ Performance P-Q Curves.



▶ Outline Dimensions.



Fan Accessories

